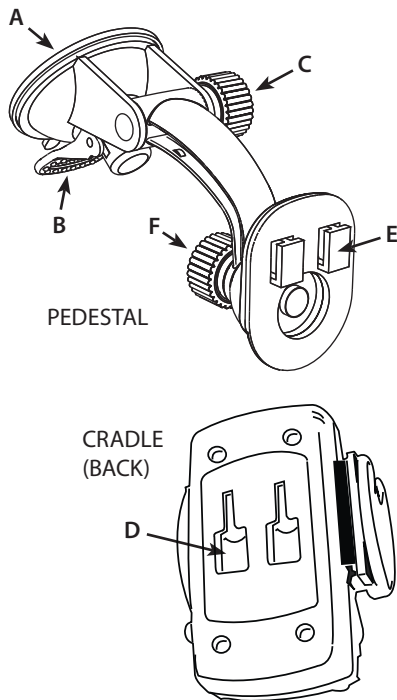
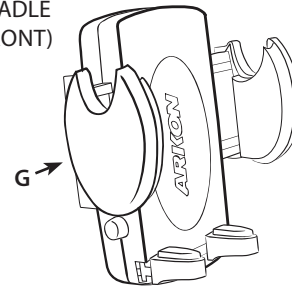


**WINDSHIELD INSTALLATION**



CRADLE (FRONT)



Cradle Dimensions:  
Width: 1.65" (arms closed), 2.6" (arms opened) x Height: 3.1"

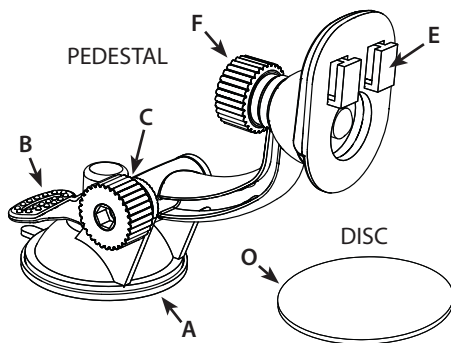
**STEP 1**

Push the pedestal suction cup (A) firmly to the windshield. Flip the lever (B) down to secure the suction cup. Adjust the angle of the arm by loosening the adjustment knob (C).

**STEP 2**

Slide the dual T-slots (D) on the back of the cradle onto the dual T pedestal head (E). Adjust the angle and rotation of the pedestal head by loosening the adjustment knob (F). Push button (G) to release grip arms.

**DASH INSTALLATION**



**STEP 1**

Locate a safe flat surface on the dash or console to mount the pedestal. Clean the dash with the alcohol pad provided. Dry the surface before applying the adhesive disc\* (O).

**STEP 2**

Push the pedestal suction cup (A) down onto the disc (O). Flip the lever (B) down to secure the suction cup. Adjust the angle of the arm by loosening the adjustment knob (C).

**STEP 3**

See Step 2 of Windshield Installation above.

\*Note: Adhesive disc can be removed without damage to dash surface. Use a cotton swab dipped in rubbing alcohol and swab while peeling up a corner of the disc and pulling gently.



**Safety Precautions**

Do not install Arkon products over an air bag cover or within the air bag deployment zone. Arkon Resources, Inc. assumes no responsibility of liability for injury or death as a result of car crashes and/or air bag deployment.

Arkon is not responsible for any damages caused to your car, your device, or yourself due to the installation or use of the pedestal mount.

**ARKON**  
**RESOURCES INC.**

*The Mobile Mounting Specialists™*

Consumer Hotline:  
(USA) (800) 841-0884  
(INT'L) (626) 254-9005

**www.arkon.com**  
Arcadia, CA 91006 USA  
Made in Taiwan

Mon-Fri. 9am-5pm, PST

© Copyright 2007 Arkon Resources, Inc.